

Diaphragm Seal Accessories

Flushing Rings, Model 910.27

WIKA Data Sheet AC 91.05

Applications

- For diaphragm seals in flange and cell design Model 990.27/28, in order to avoid the formation of deposits or blockages in the process connection
- The flushing ring is to be sandwiched between the process flange and the diaphragm seal

Special Features

- The material collecting in front of the diaphragm can be flushed out through the lateral flushing boreholes
- The pressure chamber can be vented by means of these rings
- Various nominal widths and forms allow adaption to the respective process flange



Flushing Ring Model 910.27

Description

Process connection

For flanges per EN 1092-1 and ASME B 16.5
 DN 50, 80, 100, 125 or NSP 2", 3", 4", 5"
 PN 16 ... 100 or Class 150 ... 600

Material

Stainless steel 316L

Sealing faces

Per EN 1092-1 form B1 or
 per ASME B 16.5 RF 125 ... 250 AA

Flushing connection

½" NPT female (without plug screws)

Installation

The flushing ring is clamped between process flange and diaphragm seal using standard sealing elements (seals to be ordered separately).

Optional extras

Materials

- Stainless steels 1.4571, 1.4404, 1.4435, 1.4541, Hastelloy B2, C4, C276; Monel 400, nickel, titanium (other materials possible)
- With Acceptance Certificate per EN 10 204 - 3.1 B

Sealing faces

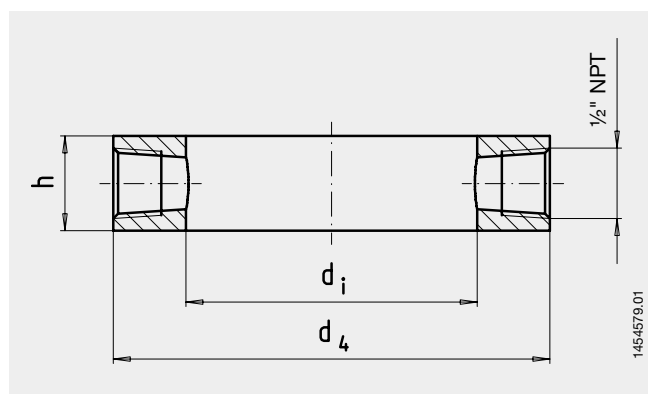
- Per EN 1092-1 form B2 or per ASME B 16.5 RFSF, 500 AA, 125 AA
- Per EN 1092-1 form C (tongue), form D (groove)
- Per ASME B 16.5 RJF (Ring joint face)
- Other forms of sealing faces on request

Flushing connection

- G ½", G ¼", ¼" NPT female
- ½" NPT, G ½ B, G ¼ B, ¼" NPT male
- With plug screws, material stainless steel 316L

Dimensions in mm

Standard version



Connection per EN 1092-1

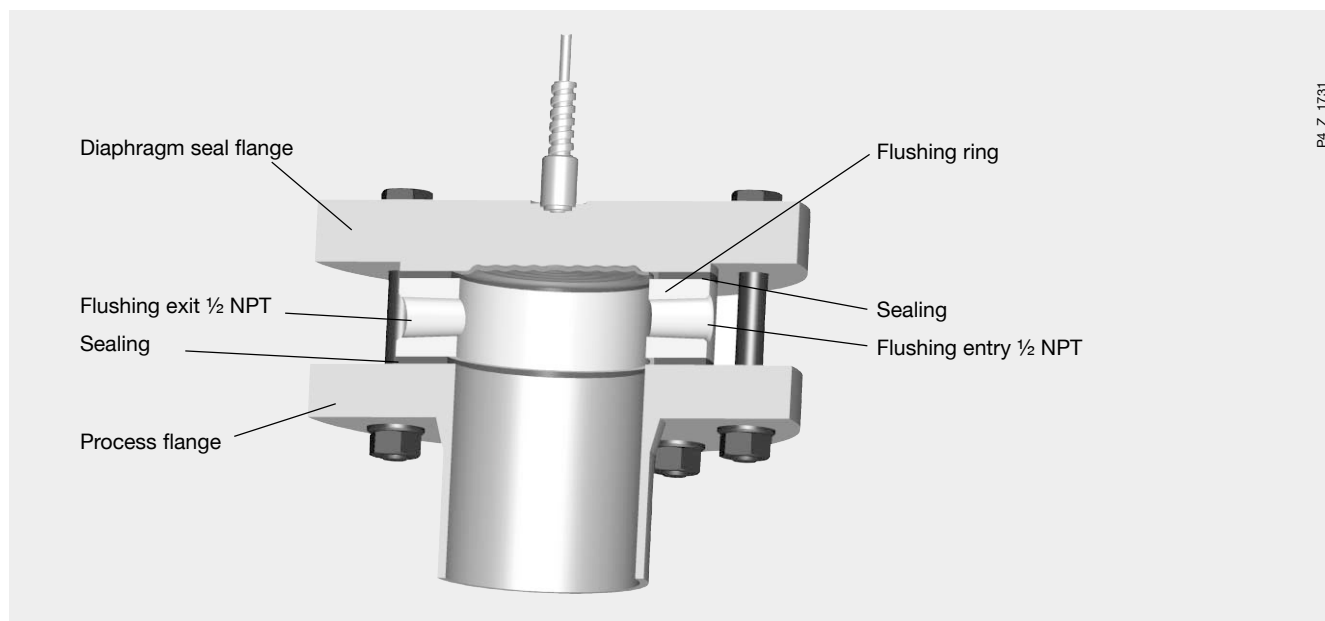
DN	PN ¹⁾	Dimensions in mm			Weight in kg
		d_4	d_i	h	
50	16 ... 100	102	62	30	1.10
80	16 ... 100	138	92	30	1.90
100	16 ... 100	162	92	30	3.15
125	16 ... 100	188	126	30	3.50

Connection per ASME B 16.5

NSP	PN ¹⁾	Dimensions in mm			Weight in kg
		d_4	d_i	h	
2"	150 ... 600	92	62	30	0.60
3"	150 ... 600	127	92	30	1.05
4"	150 ... 600	157	92	30	2.85
5"	150 ... 600	185,5	126	30	3.30

1) Higher pressure ranges on request

Mounting example



Ordering information

Model / Process connection (standard, nominal size, nominal pressure range) / Form of sealing face / Material / Flushing connection (number and thread type) / Plug screw / Optional extras required

Modifications may take place and materials specified may be replaced by others without prior notice. Specifications and dimensions given in this leaflet represent the state of engineering at the time of printing.

