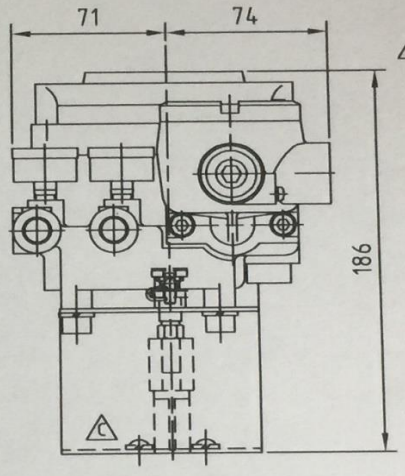
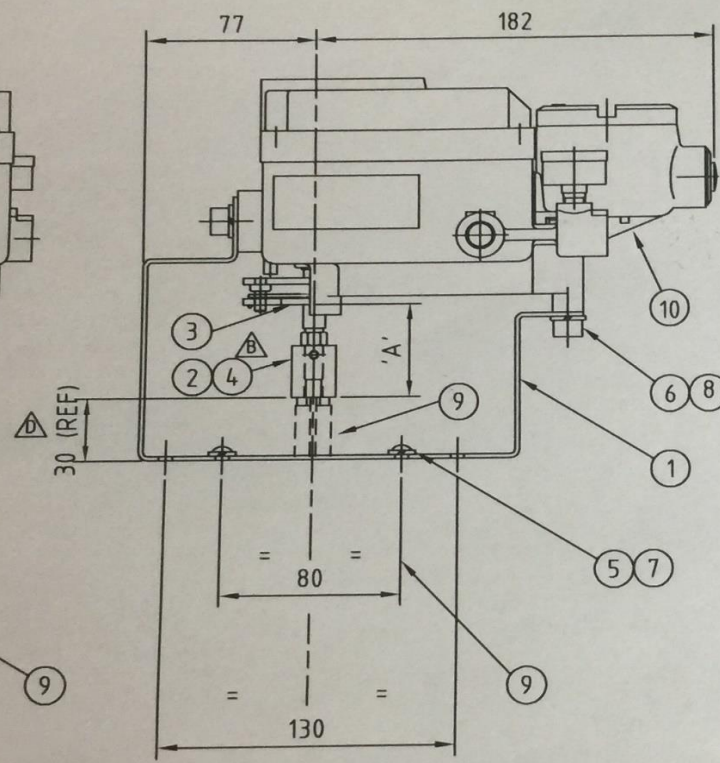
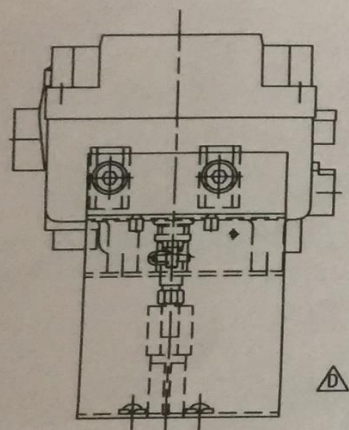
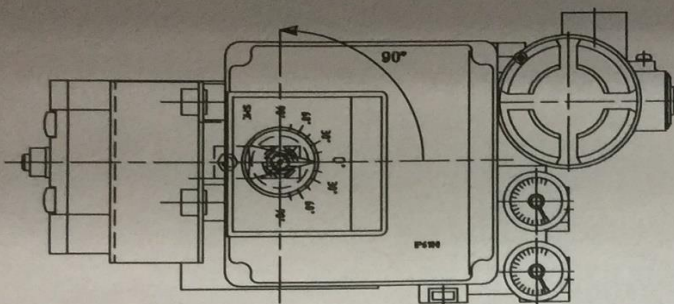


2-3



NOTES:

- KIT TO SUIT:
SMC PNo: IP6000, IP6100, IP8000, IP8100, IP8101
BRAY PNo: 92-048, 92-063, 92-083, 92-092, 92-118, 92-127, 92-160, 92-210, 92-255
HYTORK XL1126
VALBIA DA115
ACTUATECH F07-F10
- KIT CONSISTS OF ITEMS 1 TO 8 ONLY.
- POSITIONER MODEL SHOWN ON DRAWING IS IP6100-031 FOR REFERENCE ONLY.
- PACK ITEMS LOOSE IN PLASTIC BAG
- WITH A4 COPY OF THIS DWG. NO. D-XAL4039.
- LABEL BAG - 'KT-IP8100-1/4TURN-XAL4039'.
- POSITIONER (ITEM 10) REQUIRES CAM IN REVERSE ACTING POSITION WHEN INSTALLING KIT.
- PIPE CONNECTIONS FROM POSITIONER TO ACTUATOR NOT SHOWN.
- SET DIMENSION 'A' TO VALUE TABULATED BASED ON ACTUATOR MODEL
- ENSURE POSITIONER & ACTUATOR SHAFT POSITIONS ARE SYNCHRONISED.
- ENSURE BRACKET IS FITTED TO ACTUATOR PRIOR TO FITTING POSITIONER

BRAY ACTUATOR	92-048	92-063, 92-083 92-092, 92-118 92-127	92-160, 92-210 92-255
'A' DIMENSION	46 MAX	54 MAX	44 MAX

ITEM	PART NUMBER	DESCRIPTION	QTY
10	-	POSITIONER (REF ONLY)	1
9	-	BRAY ACTUATOR (INTERFACE ONLY SHOWN)	1
8	M8SUS(CA1)	M8 S/S SPRING WASHER	4
7	SW_5_SS	M5 S/SSPRING WASHER	4
6	SHCS_M8X12_SS	CAP SCREW M8X12 SS316	4
5B	SHCS_M5X10_SS	SOCKET SET SCREW	4
5A	BHS_10/32UNFX3/8_SS	BUTTON HEAD SCREW 10/32" UNF X 3/8" SS	4
4	SSS_M4X10_SS	SOCKET SET GRUB SCREW, M4 x 10	1
3	P368010-25	FORK LEVER ASSEMBLY - SHORT	1
2	D-XAL4039B	CUSTOM COUPLER	1
1	R70162D	MOUNTING BRACKET - SS316 2mm	1

INCLUDED IN KIT
ITEMS 1 TO 8

TOLERANCES (UNLESS NOTED OTHERWISE)		REV.	ECN	AMENDMENTS	DATE	DRAWN	CHECKED	APPROVED
FABRICATION	MACHINING	A	-	Spring Washer added to kit	23.09.08	D.A.	N.T.	N.T.
		B	-	Changed C-Lever to Fork Assy.	13.01.09	G.P.	R.N.	R.N.
UP TO 1000	±1 0 ±0.5	C	-	Item 5 was M5, revised dims, note added	29.5.09	G.P.	R.N.	R.N.
OVER 1000	±2 0.0 ±0.2	D	-	Dim 30 (REF) Added	14.2.13	J.Li	J.Li	J.Li
	0.00 ±0.02	E	-	P/No. WAS KT-IP8100-BRAY92-XAL4039	12.02.15	AFAR2	RN	RN
ANGLES ±0.5°								
MACHINING SURFACE FINISH - √								
DO NOT SCALE								
DIMENSIONS IN MILLIMETRES								

This drawing and all information thereon is the property of SMC Pneumatics (Australia) Pty. Ltd. ("SMC") - AOH 999 343 519 and is confidential and must not be made public or copied. Reproduction in whole or in part, or disclosure of information from the drawing to third parties requires the prior written consent of SMC. All rights conferred by the law of copyright and by virtue of international copyright conventions are reserved by SMC.

SCALE	1:2.5	DATE	
DRAWN	B.MCG	DATE	08.08.07
CHECKED	R.N.		
APPROVED	R.N.		
DRAWN TO AS1100			

SMC SMC Pneumatics (Australia) Pty.
18 Hudson Avenue, Castle Hill N.S.W. 2115
AUSTRALIA A.C.N. 000543 61

PART NO. KT-IP8100-1/4TURN-XAL4039 POSITIONER MOUNTING KIT TO SUIT BRAY ACTUATORS (AS NOTED)		PROJECTION		DRAWING No.		D-XAL4039	
		A/B		E			