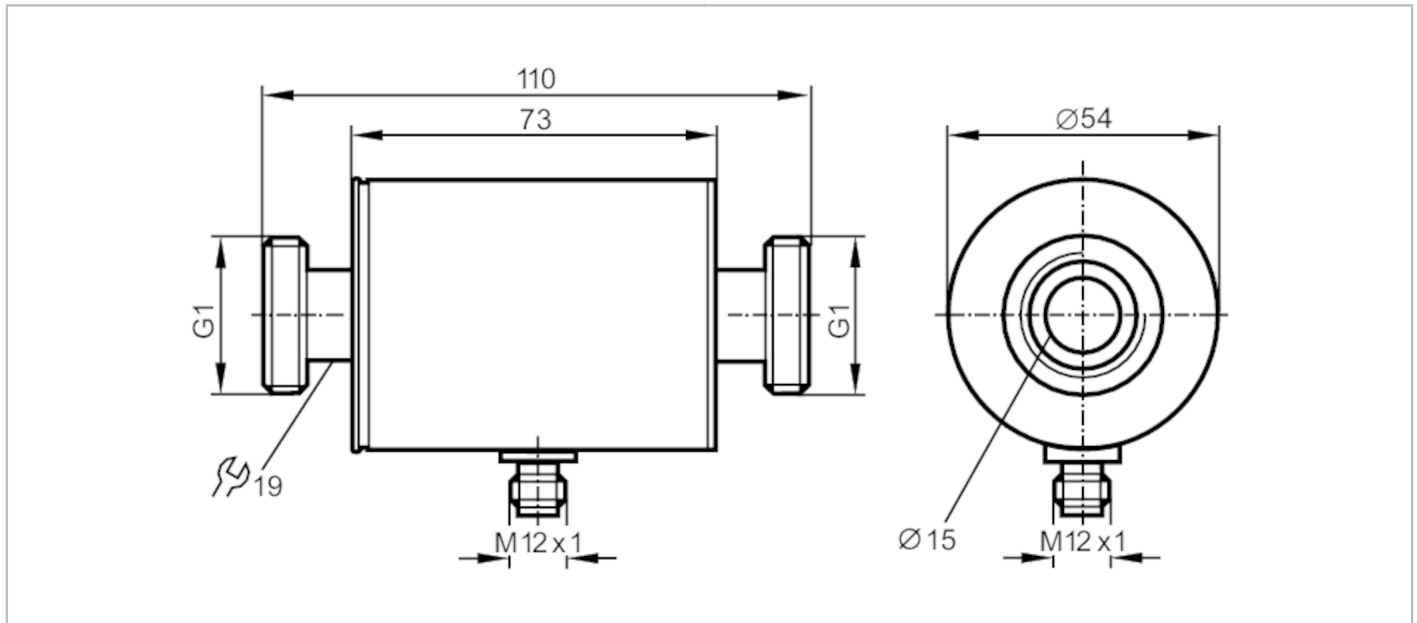


SM8050



Magnetic-inductive flow meter

SMR11GGX10KG/US



Product characteristics	
Number of inputs and outputs	Number of analogue outputs: 1
Measuring range [l/min]	0.2...100
Process connection	threaded connection G 1 DN25 flat seal
Application	
Special feature	Gold-plated contacts
Application	for industrial applications
Installation	connection to pipe by means of an adapter
Media	conductive liquids; water; hydrous media
Note on media	conductivity: $\geq 20 \mu\text{S/cm}$ viscosity: $< 70 \text{ mm}^2/\text{s}$ (40 °C)
Medium temperature [°C]	-10...70
Pressure rating [bar]	16
Pressure rating [Mpa]	1.6
MAWP (for applications according to CRN) [bar]	11.2
Electrical data	
Operating voltage [V]	18...30 DC; (according to EN 50178 SELV/PELV)
Current consumption [mA]	95; (24 V)
Protection class	III
Reverse polarity protection	yes
Power-on delay time [s]	5
Inputs / outputs	
Number of inputs and outputs	Number of analogue outputs: 1

SM8050



Magnetic-inductive flow meter

SMR11GGX10KG/US

Outputs					
Total number of outputs	1				
Output signal	analogue signal; IO-Link; (configurable)				
Permanent current rating of switching output DC [mA]	250				
Number of analogue outputs	1				
Analogue current output [mA]	4...20				
Max. load [Ω]	500				
Overload protection	yes				
Measuring/setting range					
Measuring range [l/min]	0.2...100				
Accuracy / deviations					
Flow monitoring					
Accuracy (in the measuring range)	$\pm (0,8 \% MW + 0,5 \% MEW)$				
Repeatability	$\pm 0,2\% MEW$				
Response times					
Flow monitoring					
Response time [s]	0.15; (dAP = 0, T19)				
Interfaces					
Communication interface	IO-Link				
Transmission type	COM2 (38,4 kBaud)				
IO-Link revision	1.1				
SDCI standard	IEC 61131-9				
Profiles	Smart Sensor: Process Data Variable; Device Identification, Device Diagnosis				
SIO mode	yes				
Required master port type	A				
Process data analogue	2				
Min. process cycle time [ms]	3				
Supported DeviceIDs	<table border="1"><thead><tr><th>Type of operation</th><th>DeviceID</th></tr></thead><tbody><tr><td>Default</td><td>577</td></tr></tbody></table>	Type of operation	DeviceID	Default	577
Type of operation	DeviceID				
Default	577				
Operating conditions					
Ambient temperature [$^{\circ}\text{C}$]	-10...60				
Storage temperature [$^{\circ}\text{C}$]	-25...80				
Protection	IP 67				

SM8050



Magnetic-inductive flow meter

SMR11GGX10KG/US

Tests / approvals		
EMC	DIN EN 60947-5-9	
	model number	002MI
	accuracy class	-
CPA approval	maximum allowable error	± 1,5 % FS
	Q (min)	0,01 m³/h
	Q (t)	-
	Q (max)	6 m³/h
Shock resistance	DIN IEC 68-2-27	20 g (11 ms)
Vibration resistance	DIN IEC 68-2-6	5 g (10...2000 Hz)
MTTF [years]	167	
Pressure Equipment Directive	Sound engineering practice; can be used for group 2 fluids; group 1 fluids on request	

Mechanical data		
Weight [g]	591.5	
Materials	stainless steel (1.4404 / 316L); PBT-GF20; FKM; TPE	
Materials (wetted parts)	stainless steel (1.4404 / 316L); PEEK; FKM	
Process connection	threaded connection G 1 DN25 flat seal	

Remarks		
Remarks	MW = measured value	
	MEW = Final value of the measuring range	
Pack quantity	1 pcs.	

Electrical connection

Connector: 1 x M12; Contacts: gold-plated



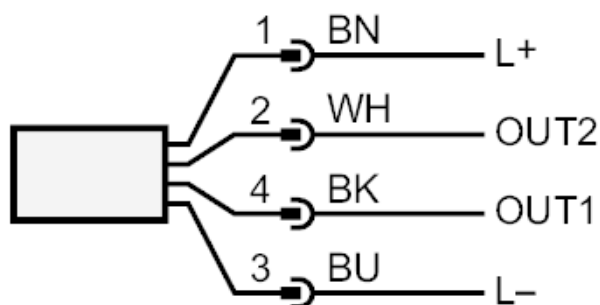
SM8050



Magnetic-inductive flow meter

SMR11GGX10KG/US

Connection



colours to DIN EN 60947-5-2

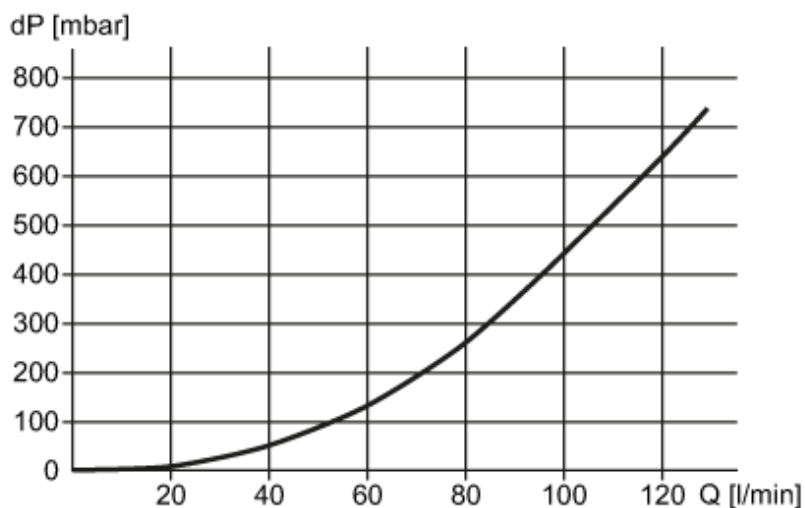
OUT1: IO-Link
OUT2: analogue output

Core colours :

BN = brown
WH = white
BK = black
BU = blue

Diagrams and graphs

Pressure loss



dP Pressure loss
Q volumetric flow quantity