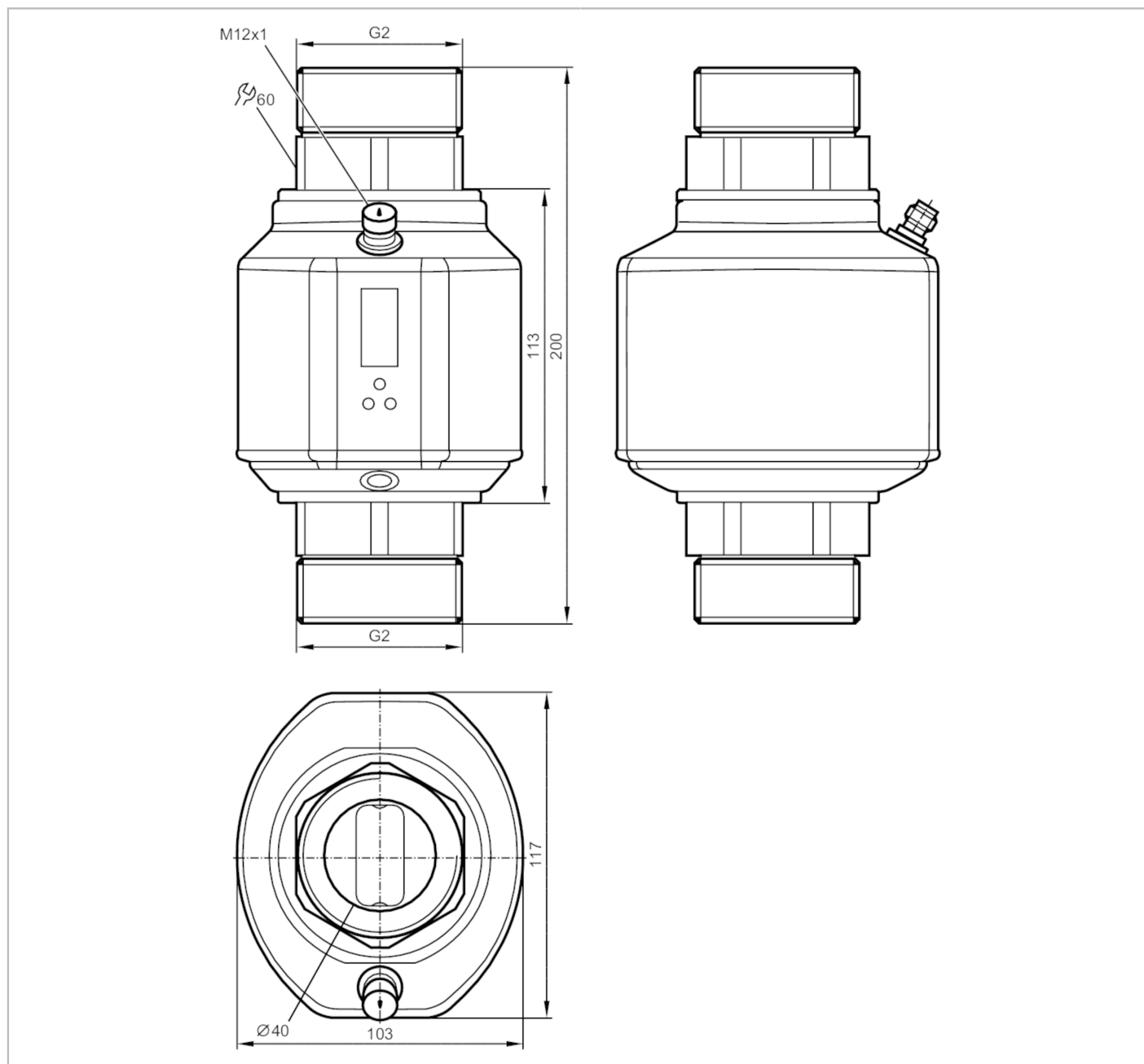


# SM2100



## Magnetic-inductive flow meter

SMR21XGXFRKG/US



ACS CE PA CRN cUL<sup>US</sup> LISTED ENEC IO-Link KTW/W270 Reg31

### Product characteristics

Number of inputs and outputs	Number of digital outputs: 2; Number of analogue outputs: 1	
Measuring range	5...600 l/min	0.3...36 m <sup>3</sup> /h
Process connection	threaded connection G 2 DN50 flat seal	

# SM2100



## Magnetic-inductive flow meter

SMR21XGXFRKG/US

Application	
Special feature	Gold-plated contacts
Application	totaliser function; empty pipe detection; for industrial applications
Installation	connection to pipe by means of an adapter
Media	conductive liquids; water; hydrous media
Note on media	conductivity: $\geq 20 \mu\text{S/cm}$ viscosity: $< 70 \text{ mm}^2/\text{s}$ (40 °C)
Medium temperature [°C]	-10...70
Pressure rating [bar]	16
Pressure rating [Mpa]	1.6
MAWP (for applications according to CRN) [bar]	16.5
Electrical data	
Operating voltage [V]	18...32 DC; (according to EN 50178 SELV/PELV)
Current consumption [mA]	$< 150$
Protection class	III
Reverse polarity protection	yes
Power-on delay time [s]	5
Inputs / outputs	
Number of inputs and outputs	Number of digital outputs: 2; Number of analogue outputs: 1
Inputs	
Inputs	counter reset
Outputs	
Total number of outputs	2
Output signal	switching signal; analogue signal; pulse signal; frequency signal; IO-Link; (configurable)
Electrical design	PNP/NPN
Number of digital outputs	2
Output function	normally open / normally closed; (parameterisable)
Max. voltage drop switching output DC [V]	2
Permanent current rating of switching output DC [mA]	250; (per output)
Number of analogue outputs	1
Analogue current output [mA]	4...20; (scalable)
Max. load [ $\Omega$ ]	500
Analogue voltage output [V]	0...10; (scalable)
Min. load resistance [ $\Omega$ ]	2000
Pulse output	flow rate meter
Short-circuit protection	yes
Type of short-circuit protection	pulsed
Overload protection	yes
Frequency of the output [Hz]	0.1...10000

# SM2100



## Magnetic-inductive flow meter

SMR21XGXFRKG/US

Measuring/setting range		
Measuring range	5...600 l/min	0.3...36 m³/h
Display range	-720...720 l/min	-43.2...43.2 m³/h
Resolution	0.5 l/min	0.02 m³/h
Set point SP	8...600 l/min	0.5...36 m³/h
Reset point rP	5...597 l/min	0.3...35.8 m³/h
Analogue start point ASP	0...480 l/min	0...28.8 m³/h
Analogue end point AEP	120...600 l/min	7.2...36 m³/h
Low flow cut-off LFC	< 15 l/min	< 0.9 m³/h
In steps of	0.5 l/min	0.02 m³/h
Measuring dynamics	1:120	
Volumetric flow quantity monitoring		
Pulse value	0.0001...600 x 10³ m³	
In steps of	0.0001 m³	
Pulse length [s]	0,008...2	
Temperature monitoring		
Measuring range [°C]	-20...80	
Display range [°C]	-40...100	
Resolution [°C]	0.2	
Set point SP [°C]	-19.2...80	
Reset point rP [°C]	-19.6...79.6	
Analogue start point [°C]	-20...60	
Analogue end point [°C]	0...80	
In steps of [°C]	0.2	
Accuracy / deviations		
Flow monitoring		
Accuracy (in the measuring range)	± (0,8 % MW + 0,5 % MEW)	
Repeatability	± 0,2% MEW	
Temperature monitoring		
Temperature drift	± 0,0333 °C / K	
Accuracy [K]	± 1 (bei 25 °C, Q > 15 l/min)	
Response times		
Flow monitoring		
Response time [s]	0.35; (dAP = 0)	
Delay time programmable dS, dr [s]	0...50	
Damping for the switching output dAP [s]	0...5	
Temperature monitoring		
Dynamic response T05 / T09 [s]	T09 = 3 (Q > 15 l/min)	
Software / programming		
Parameter setting options	Flow monitoring; quantity meter; Preset counter; Temperature monitoring; hysteresis / window; normally open / normally closed; switching logic; current/voltage/frequency/pulse output; start-up delay; display can be deactivated; Display unit; empty pipe detection	

# SM2100



## Magnetic-inductive flow meter

SMR21XGXFRKG/US

Interfaces		
Communication interface	IO-Link	
Transmission type	COM2 (38,4 kBaud)	
IO-Link revision	1.1	
SDCI standard	IEC 61131-9 CDV	
Profiles	Smart Sensor: Process Data Variable; Device Identification	
SIO mode	yes	
Required master port type	A	
Process data analogue	3	
Process data binary	2	
Min. process cycle time [ms]	5	
Supported DeviceIDs	Type of operation	DeviceID
	Default	357
Operating conditions		
Ambient temperature [°C]	-10...60	
Storage temperature [°C]	-25...80	
Protection	IP 65; IP 67	
Tests / approvals		
EMC	DIN EN 60947-5-9	
	model number	004MI
CPA approval	accuracy class	-
	maximum allowable error	± 1,5 % FS
	Q (min)	0,3 m³/h
	Q (t)	-
	Q (max)	36 m³/h
Shock resistance	DIN EN 60068-2-27	20 g (11 ms)
Vibration resistance	DIN EN 60068-2-6	5 g (10...2000 Hz)
MTTF [years]	78	
UL approval	UL Approval no.	I008
	File number UL	E174189
Pressure Equipment Directive	Sound engineering practice; can be used for group 2 fluids; group 1 fluids on request	
Mechanical data		
Weight [g]	3163	
Materials	stainless steel (1.4404 / 316L); stainless steel (1.4571/316Ti ); PEI; FKM; PBT-GF20; TPE-U	
Materials (wetted parts)	stainless steel (1.4404 / 316L); stainless steel (1.4571/316Ti ); PEEK; Centellen; EPDM	
Process connection	threaded connection G 2 DN50 flat seal	
Displays / operating elements		
Display	Display unit	6 x LED, green (l/min, m³/h, l, m³, 10³, °C)
	switching status	2 x LED, yellow
	measured values	alphanumeric display, 4-digit
	programming	alphanumeric display, 4-digit
Accessories		
Items supplied	sealings: 2, Centellen	
	Label	

# SM2100



## Magnetic-inductive flow meter

SMR21XGXFRKG/US

### Remarks

Remarks

MW = measured value

MEW = Final value of the measuring range

Pack quantity

1 pcs.

### Electrical connection

Connector: 1 x M12; Contacts: gold-plated



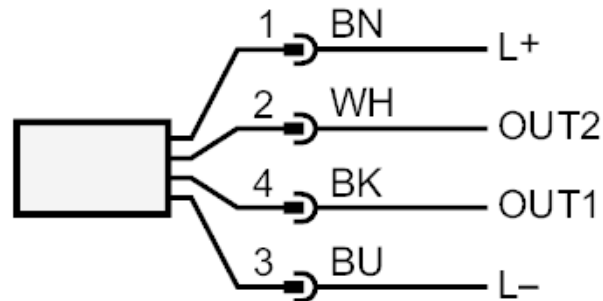
# SM2100



## Magnetic-inductive flow meter

SMR21XGXFRKG/US

### Connection



	colours to DIN EN 60947-5-2
OUT1:	switching output empty pipe detection switching output volumetric flow quantity monitoring frequency output volumetric flow quantity monitoring Pulse output quantity meter signal output Preset counter IO-Link
OUT2:	switching output empty pipe detection switching output volumetric flow quantity monitoring switching output Temperature monitoring analogue output volumetric flow quantity monitoring analogue output Temperature monitoring input counter reset
	Core colours :
BK =	black
BN =	brown
BU =	blue
WH =	white

# SM2100

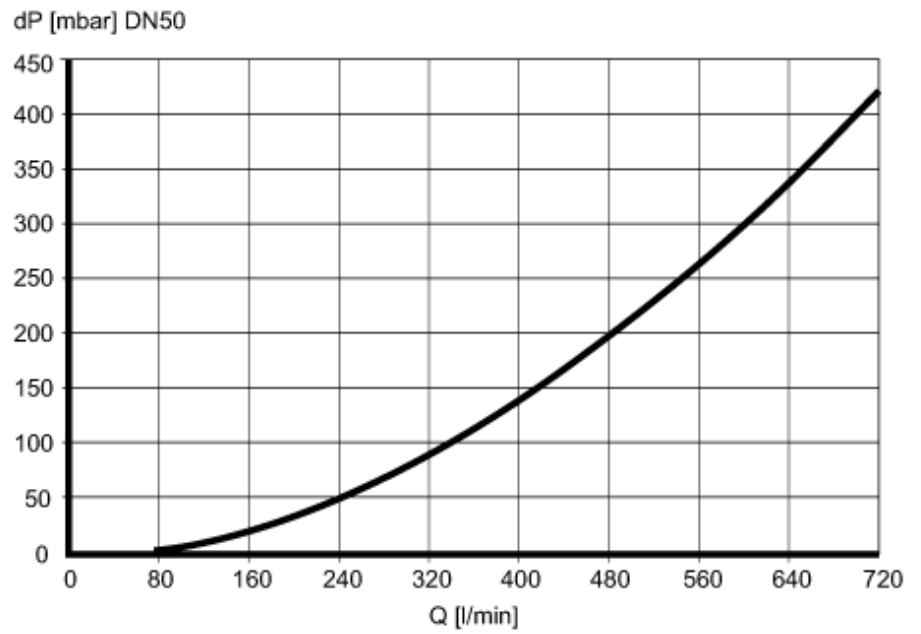


## Magnetic-inductive flow meter

SMR21XGXFRKG/US

### Diagrams and graphs

Pressure loss



dP Pressure loss

Q volumetric flow quantity