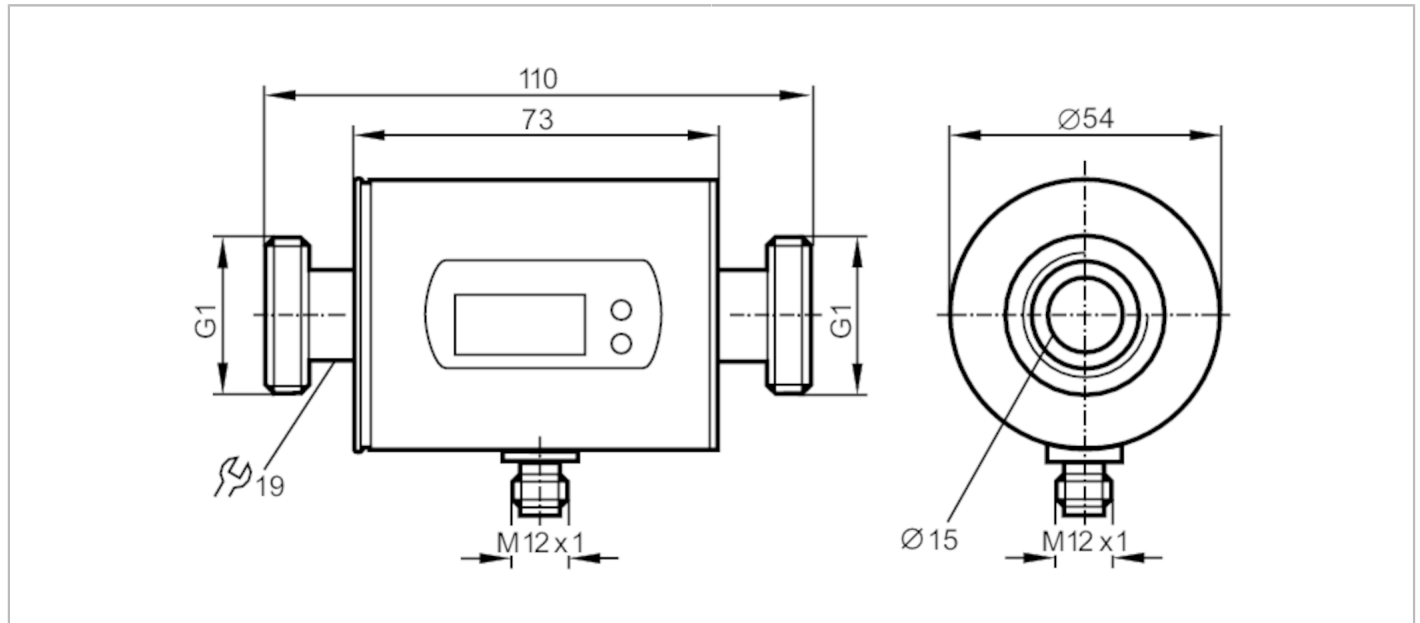


SM0505



Magnetic-inductive flow meter

SMR11GGXFRKG/US-100



CE CRN EAC KTW/W270

Product characteristics	
Number of inputs and outputs	Number of digital outputs: 2; Number of analogue outputs: 1
Measuring range	0.2...100 l/min 0.01...6 m ³ /h
Process connection	threaded connection G 1 DN25 flat seal
Application	
Special feature	Gold-plated contacts
Application	empty pipe detection; totaliser function; for industrial applications
Media	conductive liquids; water; hydrous media
Note on media	conductivity: ≥ 20 µS/cm viscosity: < 70 mm ² /s (40 °C)
Medium temperature [°C]	-10...70
Pressure rating [bar]	16
Pressure rating [Mpa]	1.6
MAWP (for applications according to CRN) [bar]	11.2
Electrical data	
Operating voltage [V]	18...30 DC; (according to EN 50178 SELV/PELV)
Current consumption [mA]	95; (24 V)
Min. insulation resistance [MΩ]	100; (500 V DC)
Protection class	III
Reverse polarity protection	yes
Power-on delay time [s]	5
Inputs / outputs	
Number of inputs and outputs	Number of digital outputs: 2; Number of analogue outputs: 1
Inputs	
Inputs	counter reset

SM0505



Magnetic-inductive flow meter

SMR11GGXFRKG/US-100

Outputs		
Total number of outputs		2
Output signal		switching signal; analogue signal; pulse signal; (configurable)
Electrical design		PNP/NPN
Number of digital outputs		2
Output function		normally open / normally closed; (parameterisable)
Max. voltage drop switching output DC	[V]	2
Permanent current rating of switching output DC	[mA]	200
Number of analogue outputs		1
Analogue current output	[mA]	4...20; (scalable)
Max. load	[Ω]	500
Analogue voltage output	[V]	0...10; (scalable)
Min. load resistance	[Ω]	2000
Pulse output		flow rate meter
Short-circuit protection		yes
Type of short-circuit protection		pulsed
Overload protection		yes
Measuring/setting range		
Measuring range	0.2...100 l/min	0.01...6 m³/h
Display range	-120...120 l/min	-7.2...7.2 m³/h
Resolution	0.1 l/min	0.005 m³/h
Set point SP	0.7...100 l/min	0.04...6 m³/h
Reset point rP	0.2...99.5 l/min	0.01...5.97 m³/h
Analogue start point ASP	0...80 l/min	0...4.8 m³/h
Analogue end point AEP	20...100 l/min	1.2...6 m³/h
In steps of	0.1 l/min	0.005 m³/h
Volumetric flow quantity monitoring		
Pulse value		0.1 l...100 000 m³
Pulse length	[s]	0,025...2
Temperature monitoring		
Measuring range	[°C]	-20...80
Resolution	[°C]	0.2
Set point SP	[°C]	-19.2...80
Reset point rP	[°C]	-19.6...79.6
Analogue start point	[°C]	-20...60
Analogue end point	[°C]	0...80
In steps of	[°C]	0.2
Accuracy / deviations		
Flow monitoring		
Accuracy (in the measuring range)		± (2 % MW + 0,5 % MEW)
Repeatability		± 0,2% MEW

SM0505



Magnetic-inductive flow meter

SMR11GGXFRKG/US-100

Temperature monitoring		
Accuracy	[K]	± 2,5 (Q > 5 l/min)
Response times		
Flow monitoring		
Response time	[s]	0.15; (dAP = 0)
Delay time programmable dS, dr	[s]	0...50
Damping for the switching output dAP	[s]	0...5
Temperature monitoring		
Dynamic response T05 / T09	[s]	T09 = 30 (Q > 5 l/min)
Software / programming		
Parameter setting options	Flow monitoring; quantity meter; Preset counter; Temperature monitoring; hysteresis / window; normally open / normally closed; switching logic; current/voltage/pulse output; start-up delay; display can be deactivated; Display unit; empty pipe detection	
Operating conditions		
Ambient temperature	[°C]	-10...60
Storage temperature	[°C]	-25...80
Protection		IP 67
Tests / approvals		
EMC	DIN EN 60947-5-9	500 V withstand voltage (V DC)
	model number	009MI
	accuracy class	-
CPA approval	maximum allowable error	± 2,5 % FS
	Q (min)	0,01 m³/h
	Q (t)	-
	Q (max)	6 m³/h
Shock resistance	DIN IEC 68-2-27	20 g (11 ms)
Vibration resistance	DIN IEC 68-2-6	5 g (10...2000 Hz)
MTTF	[years]	130
Pressure Equipment Directive	Sound engineering practice; can be used for group 2 fluids; group 1 fluids on request	
Mechanical data		
Weight	[g]	629
Materials	stainless steel (1.4404 / 316L); PBT-GF20; PC; EPDM/X	
Materials (wetted parts)	stainless steel (1.4404 / 316L); PEEK; EPDM/X	
Process connection	threaded connection G 1 DN25 flat seal	
Displays / operating elements		
Display	Display unit	6 x LED, green (l/min, m³/h, l, m³, 10³, °C)
	switching status	2 x LED, yellow
	measured values	alphanumeric display, 4-digit
	programming	alphanumeric display, 4-digit
Remarks		
Remarks	MW = measured value MEW = Final value of the measuring range	
Pack quantity	1 pcs.	

SM0505



Magnetic-inductive flow meter

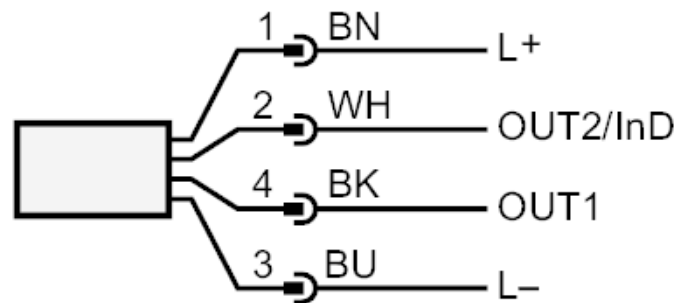
SMR11GGXFRKG/US-100

Electrical connection

Connector: 1 x M12; Contacts: gold-plated



Connection



colours to DIN EN 60947-5-2

Core colours :

BK =	black
BN =	brown
BU =	blue
WH =	white

SM0505

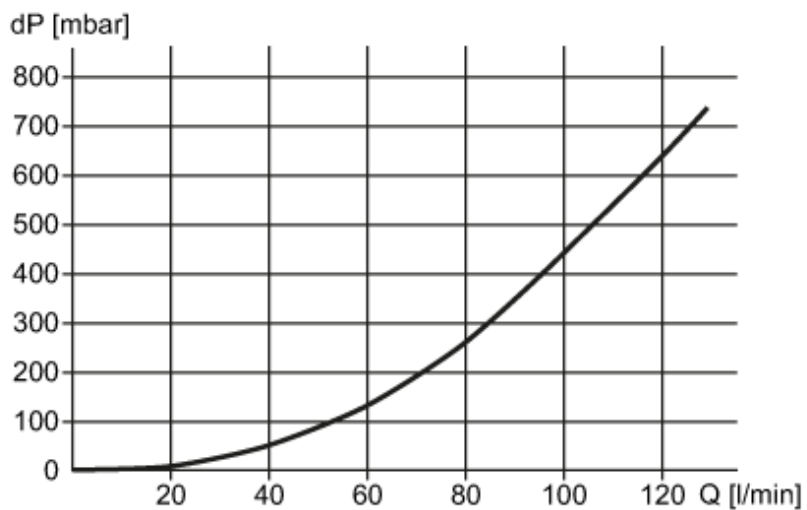


Magnetic-inductive flow meter

SMR11GGXFRKG/US-100

Diagrams and graphs

Pressure loss



dP Pressure loss

Q volumetric flow quantity