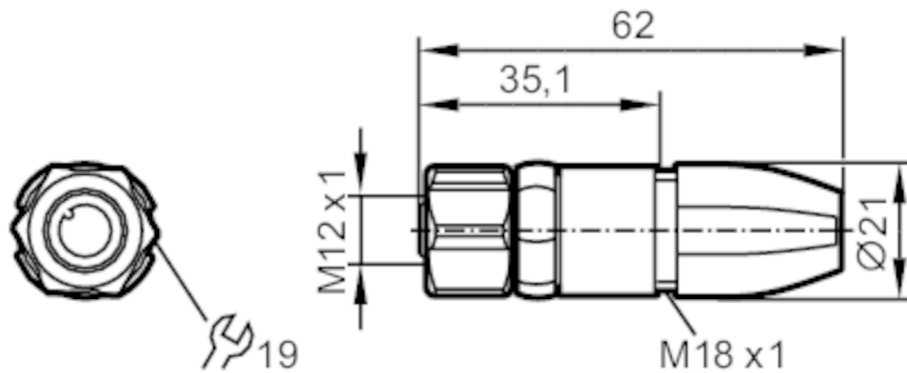


EVC810



Wirable socket

SDOGH040MSSFKPG



Application

Special feature	Free from silicone; Gold-plated contacts
Free from silicone	yes

Electrical data

Operating voltage	[V]	< 250 AC / < 300 DC
Protection class		II
Max. current load total	[A]	4; (...40 °C)

Operating conditions

Ambient temperature	[°C]	-25...90
Storage temperature	[°C]	-25...55
Storage humidity	[%]	10...100
Other climatic conditions for storage according to stated class		1K22/ DIN 60721-3-1
Protection		IP 65; IP 67; IP 68; IP 69K

Mechanical data

Weight	[g]	41.1
Moulded-body material		PA 6.6
Material nut		brass, nickel-plated
Sealing material		FKM

Remarks

Pack quantity		1 pcs.
---------------	--	--------

EVC810



Wirable socket

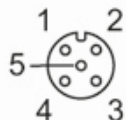
SDOGH040MSSFKPG

Electrical connection

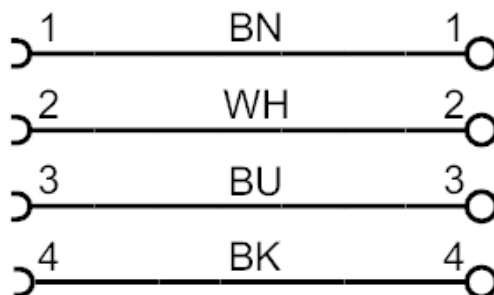
screw terminals: 0.25...1 mm²; Cable sheath: Ø 3.5...6 mm; AWG 23...17

Electrical connection - socket

Connector: 1 x M12, straight; Moulded body: PA 6.6, orange; Locking: brass, nickel-plated; Sealing: FKM; Contacts: gold-plated; Tightening torque: 0.6...1.2 Nm; Take into account the maximum value of the counterpart!



Connection



Core colours :

BN = brown
WH = white
BU = blue
BK = black

colours to DIN EN 60947-5-2