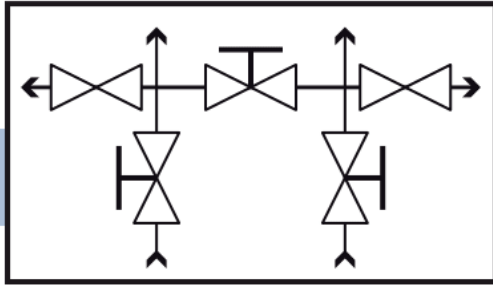
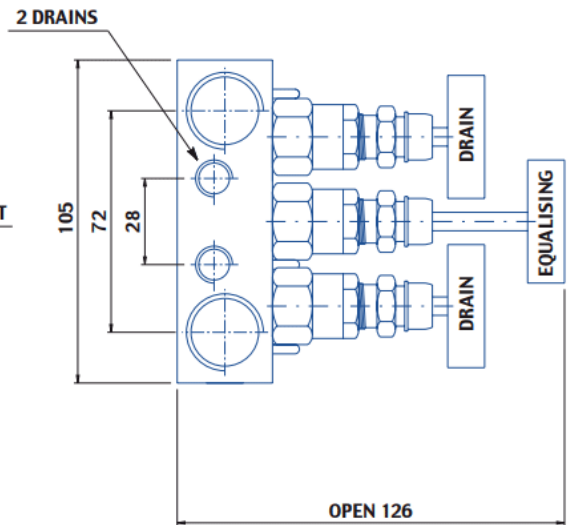
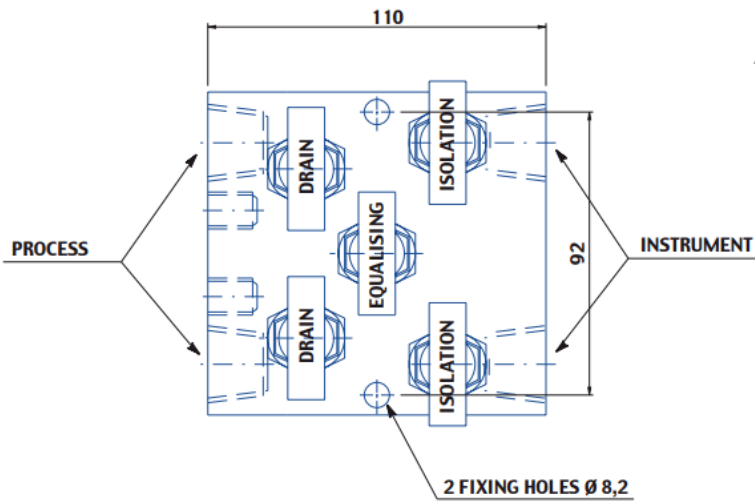


# INSTRUMENT MANIFOLD



5R2



## 5 Valves Manifold – Remote Mounting

**Process port:** 1/2" NPT Female

**Instrument Port:** 1/2" NPT Female

**Drain Port:** 1/4" NPT Female

**Drain Port Plug:** Yes

**Max Pressure:** 6000psi

**Material:** AISI 316/L

**Gland Packing:** PTFE (for temperature up to 180 °C)

Alternative configurations are available to increase temperature and pressure ratings. Please feel free to discuss with us

[Contact us Now](#)

[Request a Quote](#)

[Order Online](#)