

Power bus for 35 mm DIN mounting rail, height: 7.5 mm, length: 500 mm

Features

- Bus carrier with bus PCB for 35 mm DIN mounting rail, height 7.5 mm
- Provides DC supply voltage and the bus connection to all equipped SC-System modules
- Standard length 500 mm (19.7 inch), simple to customize to application space
- Eliminates daisy-chains

Technical data

Electrical specifications

Rated voltage	U_r	24 V DC
Rated current	I_r	3 A

Ambient conditions

Ambient temperature	-25 ... 70 °C (-13 ... 158 °F)
---------------------	--------------------------------

Mechanical specifications

Connection	5 conductors
Supply	2 Conductors
Fault output	1 Conductors
Dimensions	6 x 40 x 500 mm (0.24 x 1.57 x 19.7 inch)
Mounting	in 35 mm DIN mounting rail acc. to EN 60715:2001 Height: 7.5 mm

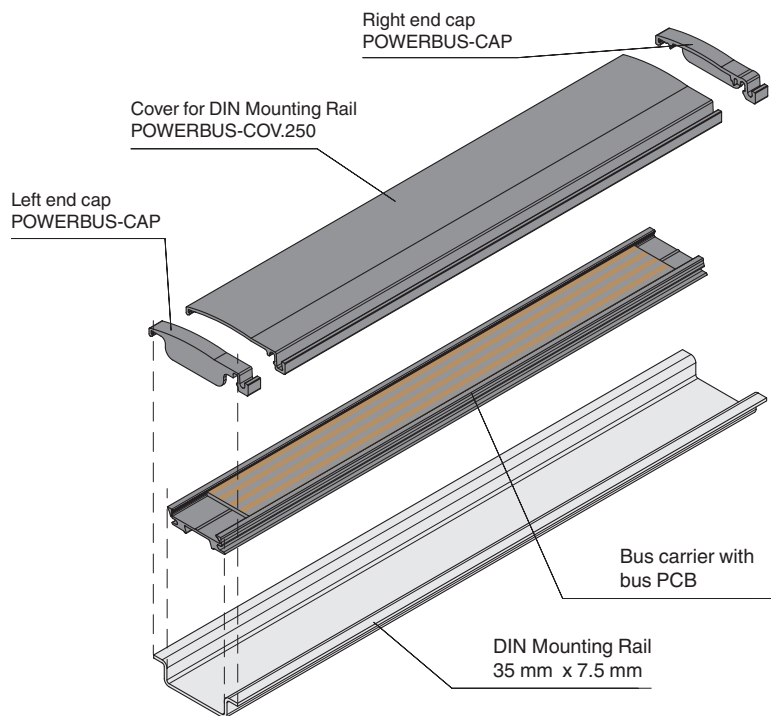
General information

Scope of delivery	- power bus POWERBUS-SETL5.500 - end cap POWERBUS-CAP
-------------------	--

Accessories

Optional accessories	- cover POWERBUS-COV.250 - end cap POWERBUS-CAP - 35 mm DIN mounting rail acc. to EN 60715
----------------------	--

Assembly



Function

The power bus consists of a bus carrier with bus PCB. In addition, two end caps are attached to the power bus.

The component has conductors for power and for bus connections.

The component reduces wiring and maintenance costs because it eliminates the need to daisy-chain the wires. It also simplifies expansion – just snap in a new isolator when you're ready to expand a system.

The component comes in 500 mm (19.7 inch) segments but can be cut to any size.



Cover empty, open segments of the power bus. Use the supplied cover for DIN mounting rail (optional accessory). Thereby power bus will be protected from pollution. The contact with electrically conductive parts on power bus will be prevented.