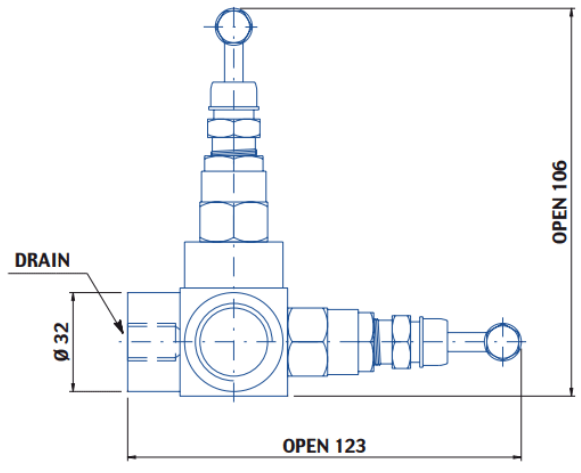
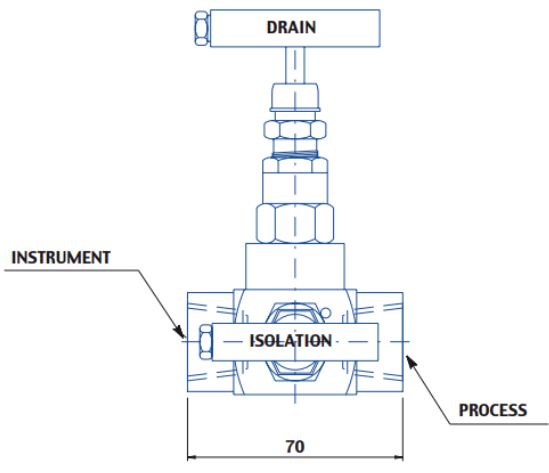


2R4



## 2 Valves Manifold – Remote Mounting

- Process port:** 1/2" NPT Female
- Instrument Port:** 1/2" NPT Female
- Drain Port:** 1/4" NPT Female
- Drain Port Plug:** Yes
- Max Pressure:** 6000psi
- Material:** AISI 316/L
- Gland Packing:** PTFE (for temperature up to 180 °C)

Alternative configurations are available to increase temperature and pressure ratings. Please feel free to discuss with us [Contact us Now](#)

[Request a Quote](#)

[Order Online](#)