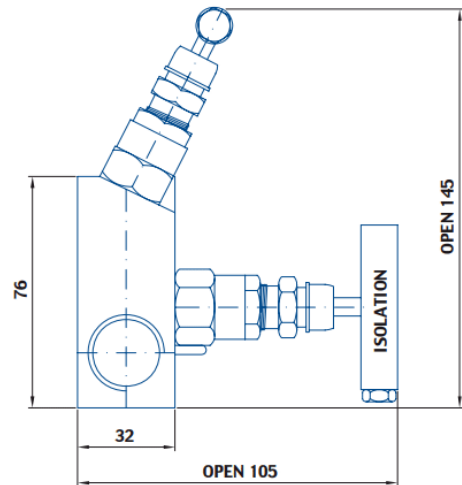
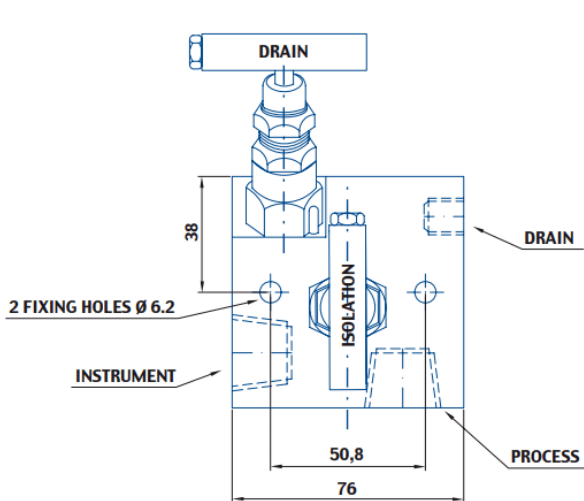
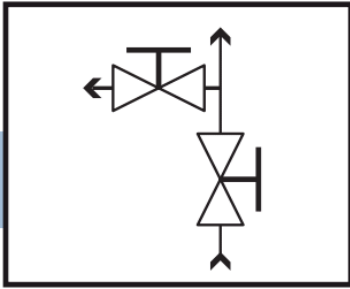


2R11



2 Valves Manifold – Remote Mounting

Process port: 1/2" NPT Female

Instrument Port: 1/2" NPT Female

Drain Port: 1/4" NPT Female

Drain Port Plug: Yes

Max Pressure: 6000psi

Material: AISI 316/L

Gland Packing: PTFE (for temperature up to 180 °C)

Alternative configurations are available to increase temperature and pressure ratings. Please feel free to discuss with us

[Contact us Now](#)

[Request a Quote](#)

[Order Online](#)